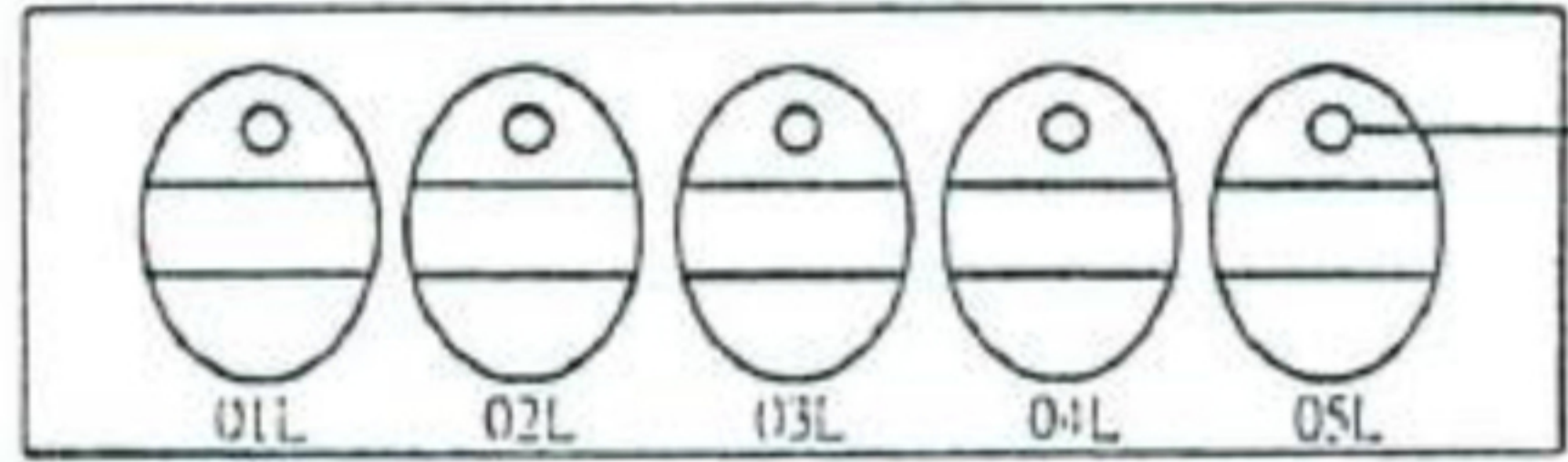


Annunciator Manual Instruction

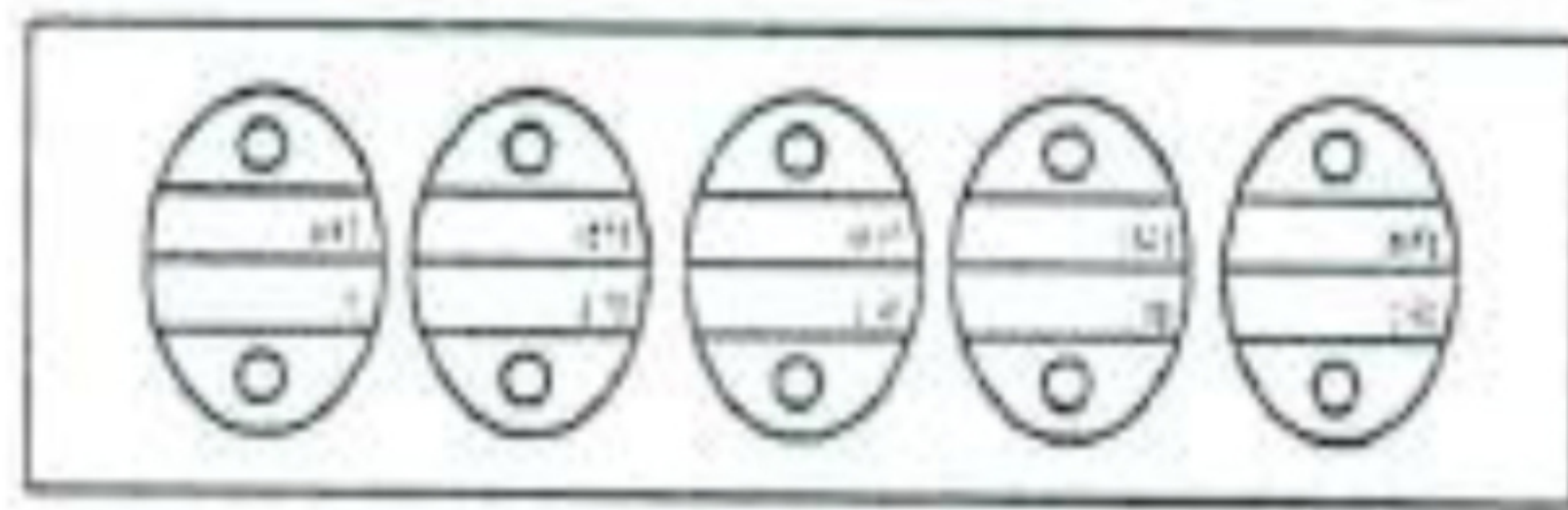
1. Appearance illustration

a) Circuit Panel



(YFP-5LSW-5L)

Indicating Lamp Order 01~05 L
 Circuit Disconnection: Flash
 Fire Alarm: Continuously Light On

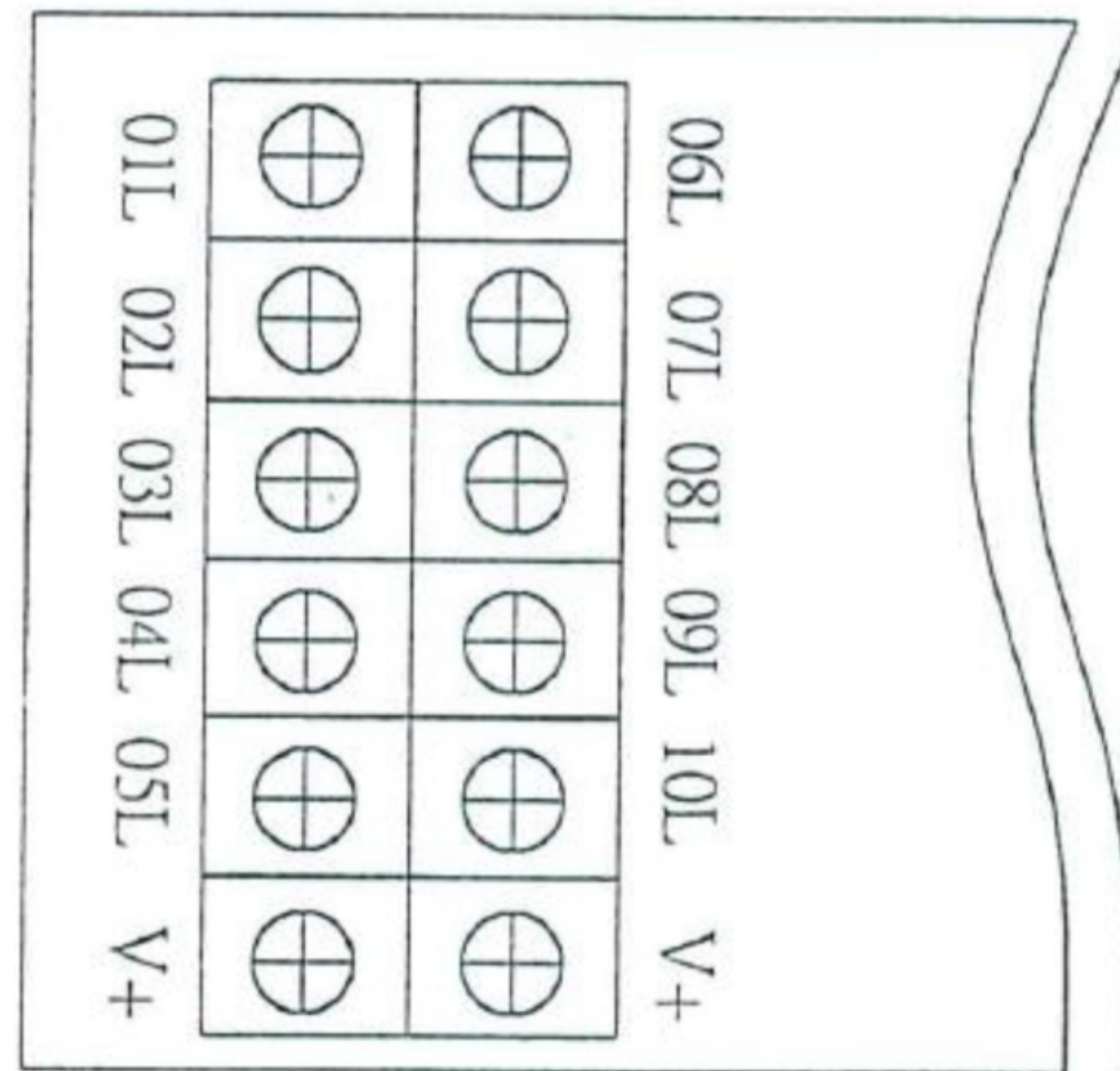


(YFP-5LSW-10L)

Indicating Lamp (top) Order 01~05 L
 Circuit Disconnection: Flash
 Fire Alarm: Continuously Light On
 Indicating Lamp (bottom) Order 01~05 L
 Circuit Disconnection: Flash
 Fire Alarm: Continuously Light On

b) Wiring Terminal Board

To annunciator
 connection board of
 control panel

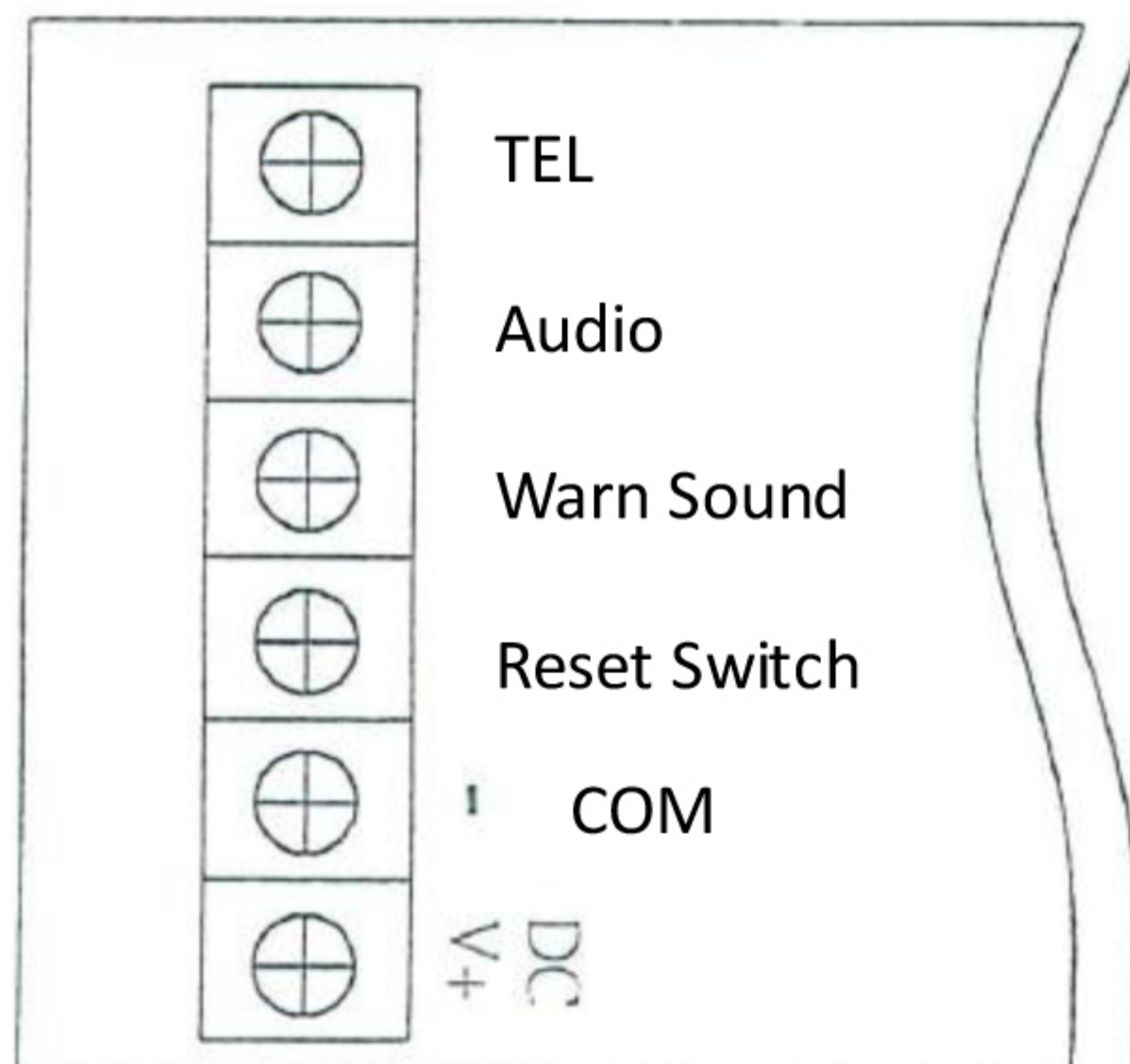


YFP-T8 (10L per circuit)

It's same as annunciator board
 on control panel. Wiring one
 by one and note the power V+
 above 2.0 x 1C

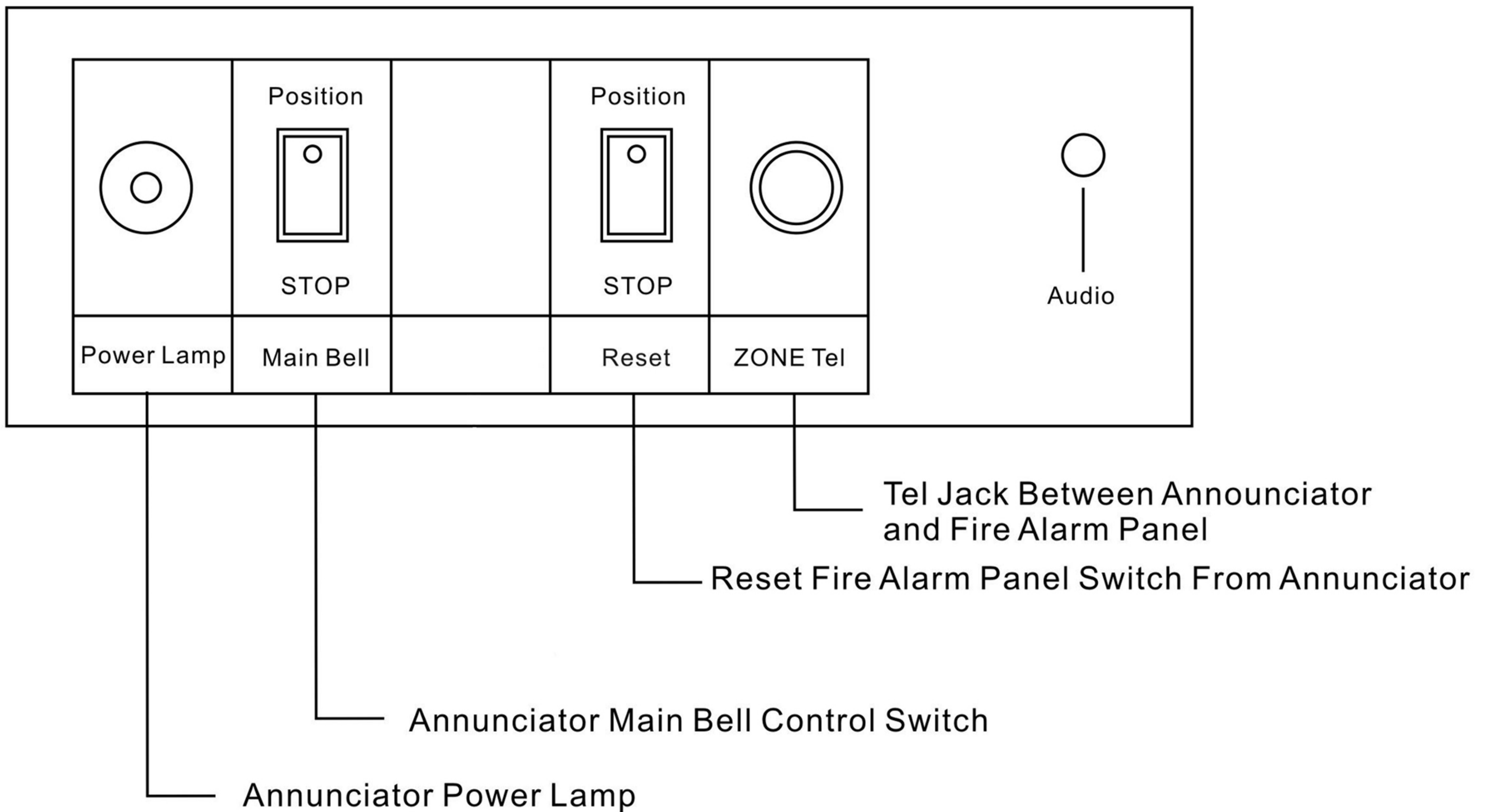
To annunciator
 connection board of
 control panel

Connect one by one with control panel



YFP-T8 (annunciator audio, power and operation board)

c) Annunciator Operation Panel



2. Connection/Indication Instruction:

- a) Fire alarm panel connect one by one with annunciator.
- b) Circuit lamp display flash for disconnection and continuously light for activated.
- c) As circuit disconnection, the circuit lamp will flash and the trouble bell of annunciator will sound. (Stop the sound by trouble bell switch)
- d) As circuit activated, the circuit lamp will light on continuously and the main bell of annunciator will sound. (Stop the sound by main bell switch)
- e) Press the reset switch of annunciator to reset fire alarm panel.
- f) Plug in telephone jack to communicate with the side of fire alarm panel.